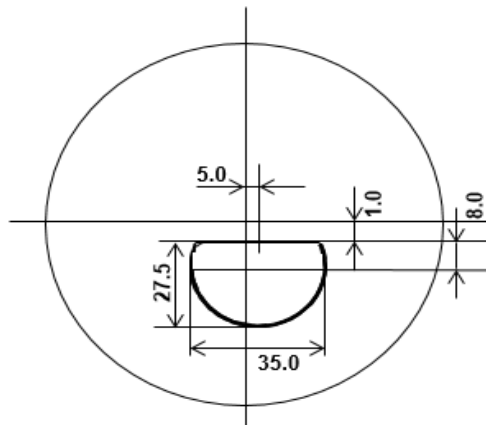


1.50 8x35 mm Trifocal S35 Blank 70 / 75 mm



Diameter (mm)	Nominal convex curve (D)	Power range at main meridian (D)	Actual convex curve (N=1.53) (D)	Radius of curvature (mm)	Sagitta depth gauge 50mm bell (mm)	Center thickness (mm)	Edge thickness (mm)	Add. powers in 0.25 D steps (D)
70 / 75	4.00	-3.00 to -1.00	3,92	135,20	2,33	6,8 / 6,5	9,0	1.50 to 3.00
70 / 75	6.00	-2.00 to +2.00	6,06	87,46	3,65	9,5	9,0	1.50 to 3.00
70 / 75	8.00	+2.00 to +5.00	8,05	65,84	4,93	10,0 / 10,5	7,0	1.50 to 3.00

70mm Diameter



75mm Diameter

